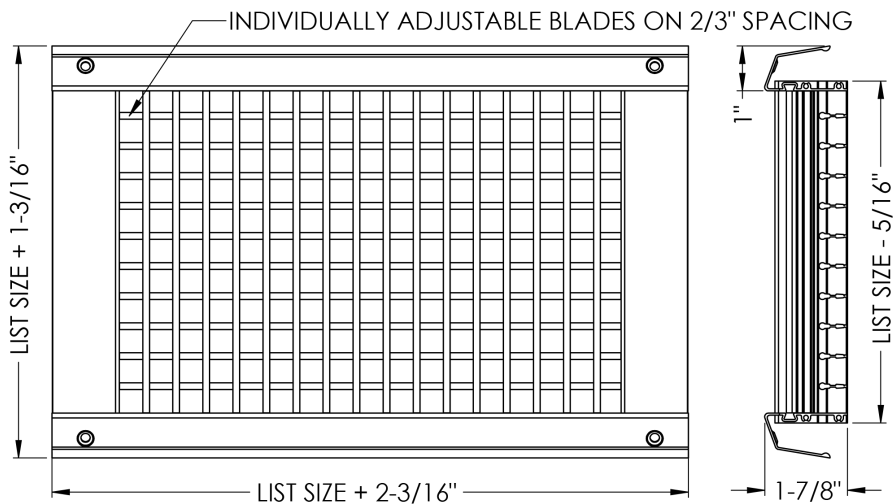


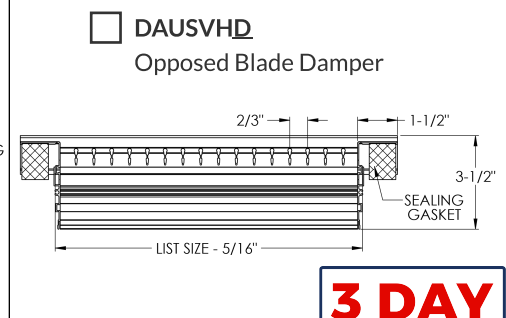
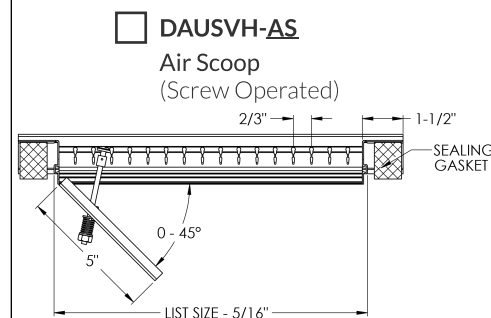
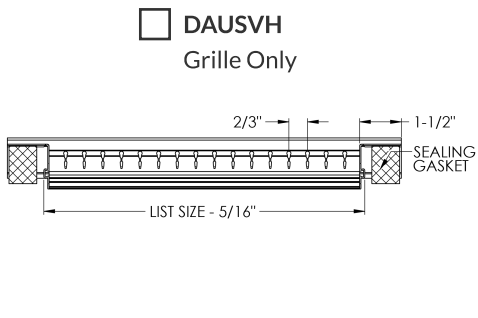
- Individually adjustable vertical front and horizontal rear blades with 2/3" spacing.
- Roll-formed aluminum blades with semi-airfoil design.
- Pressure-fit nylon pivot pins provide rattle-free performance.
- High-quality aluminum extruded frame.
- Sealing gasket standard for tight seal to duct.
- Rear mullion used for dimensions over 18" in length.
- Optional Air Scoop or tamper-resistant Opposed Blade Damper.
- Available with durable powder coat finish.



Duct Diameter	Maximum List Height
5"	3"
8	4
10	5
12	6
16	7
20	8
24	9
29	10
34	11
40	12

Anything *less* than the maximum list height will fit your diameter.

Ex: A duct diameter of 12" can fit a height 6" or smaller.



3 DAY SHIP
ANY SIZE. ANY MODEL. GUARANTEED

1. Specify Quantity _____

2. Specify the Length Dimension

1" increments are standard.
Custom sizes on 1/16" increments.
Minimum 10", Maximum 48".

_____ inches mm

4. Select a Finish

- W - White
- M - Mill

3. Select a Height Dimension

Custom sizes down to 1/16" increments.
Minimum 3". Maximum 12".

- 4" 8" 12"
- 6" 10" Custom _____

5. Select a Lead Time

- 3 Day Ship
- Next Friday
- Standard Delivery

Additional Option

See specific submittal pages for options listed below.

- IB - No Mounting

Project / Location: _____

Architect: _____

Engineer: _____

Contractor: _____



Scan for more product information.