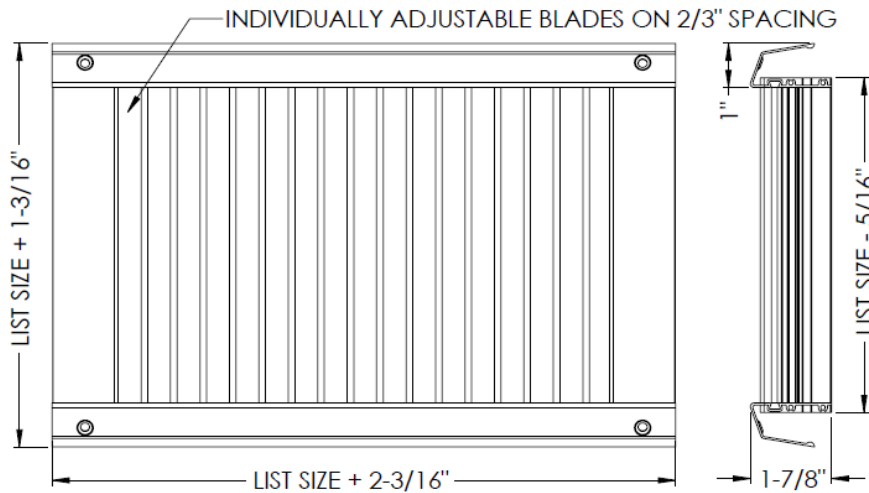


## DAUSV | Universal Spiral Grille



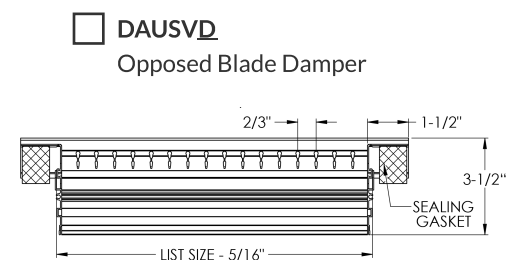
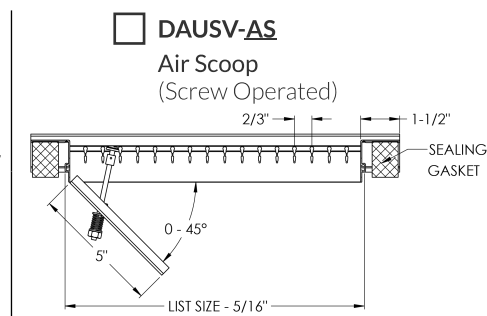
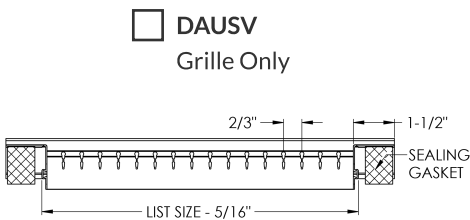
- Individually adjustable vertical blades with 2/3" spacing.
- Roll-formed aluminum blades with semi-airfoil design.
- Pressure-fit nylon pivot pins provide rattle-free performance.
- High-quality aluminum extruded frame.
- Sealing gasket standard for tight seal to duct.
- Rear mullion used for dimensions over 18" in length.
- Optional Air Scoop or tamper-resistant Opposed Blade Damper.
- Available with durable powder coat finish.



Duct Diameter	Maximum List Height
5"	3"
8	4
10	5
12	6
16	7
20	8
24	9
29	10
34	11
40	12

Anything *less* than the maximum list height will fit your diameter.

Ex: A duct diameter of 12" can fit a height 6" or smaller.



1. Specify Quantity \_\_\_\_\_

2. Specify the Length Dimension

1" increments are standard.  
Custom sizes on 1/16" increments.  
Minimum 10", Maximum 48".

\_\_\_\_\_  inches  mm

4. Select a Finish

- W - White  
 M - Mill

3. Select a Height Dimension

Custom sizes down to 1/16" increments.  
Minimum 3". Maximum 12".

- 4"  8"  12"  
 6"  10"  Custom \_\_\_\_\_

5. Select a Lead Time

- 3 Day Ship  
 Next Friday  
 Standard Delivery

**3 DAY SHIP**  
ANY SIZE. ANY MODEL.  
GUARANTEED

**Additional Option**

See specific submittal pages for options listed below.

- IB - No Mounting

Project / Location: \_\_\_\_\_

Architect: \_\_\_\_\_

Engineer: \_\_\_\_\_

Contractor: \_\_\_\_\_



Scan for more product information!