



Revolutionary New Product Made from Engineered Polymers

Eliminates Metal - No Rust



Cone



Plaque

MORE DURABLE

- No rust, no corrosion
- Won't fade or yellow
- Scratches don't show
- No painting or repainting
- Won't bend
- Mildew resistant

EASY INSTALLATION

- 50% lighter than metal
- Extra tall neck - 2 3/8"
- No cut fingers/sharp edges
- Drop/damage resistant
- Compatible with standard duct and damper sizes

PEAK PERFORMANCE

- Air flow consistent with metal
- Antistatic
- Resists sweating
- Flame Resistant
Meets UL94HB flame spread test
- Fire rated version available
Meets UL 2043, Test for Fire, Heat, & Smoke for air handling spaces

ATTRACTIVE

- Consistent smooth finish
- More dimensionally stable
- Indistinguishable from metal when installed

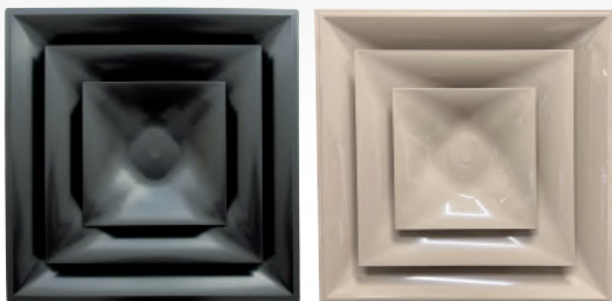


STRATUS™

DIFFUSERS



Back side of cone diffuser



MATERIAL

Engineered Polymers
Stainless Steel Screws

STYLES

Cone: 23.75" x 23.75" for T-grid ceilings
Plaque: 23.75" x 23.75" for T-grid ceilings

NECK SIZES

6", 8", 10", 12", 14" (nominal duct sizes)

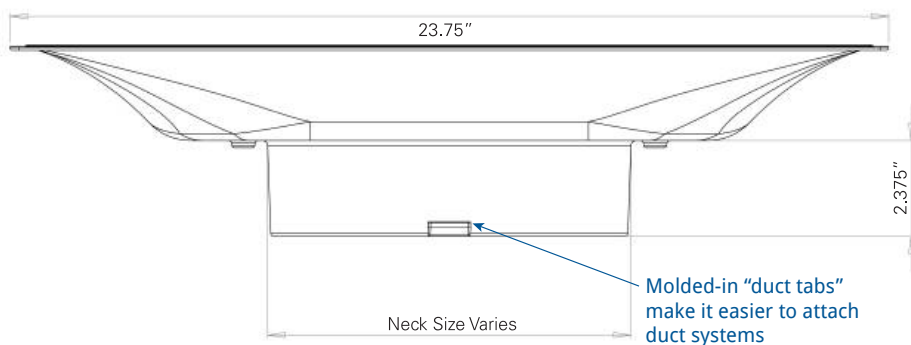
INSULATION BLANKET - OPTIONAL

R6 thermal resistance, fiberglass insulation comes attached to diffuser

COLORS

White, Black, Tan
Custom colors available with minimum order quantity

Performance data available upon request



Insulation Blanket Available

PERFECT FOR:

Hospitals
MRI Centers
Restaurants
Theaters
Food Processing
Offices
Commercial Buildings
Clean Environments



AMERICAN LOUVER COMPANY®

100 Howard Avenue
Des Plaines, IL 60018
phone (800) 772-0355
fax (847) 966-8074
AmericanLouver.com

MADE IN THE USA

Distributed by:

