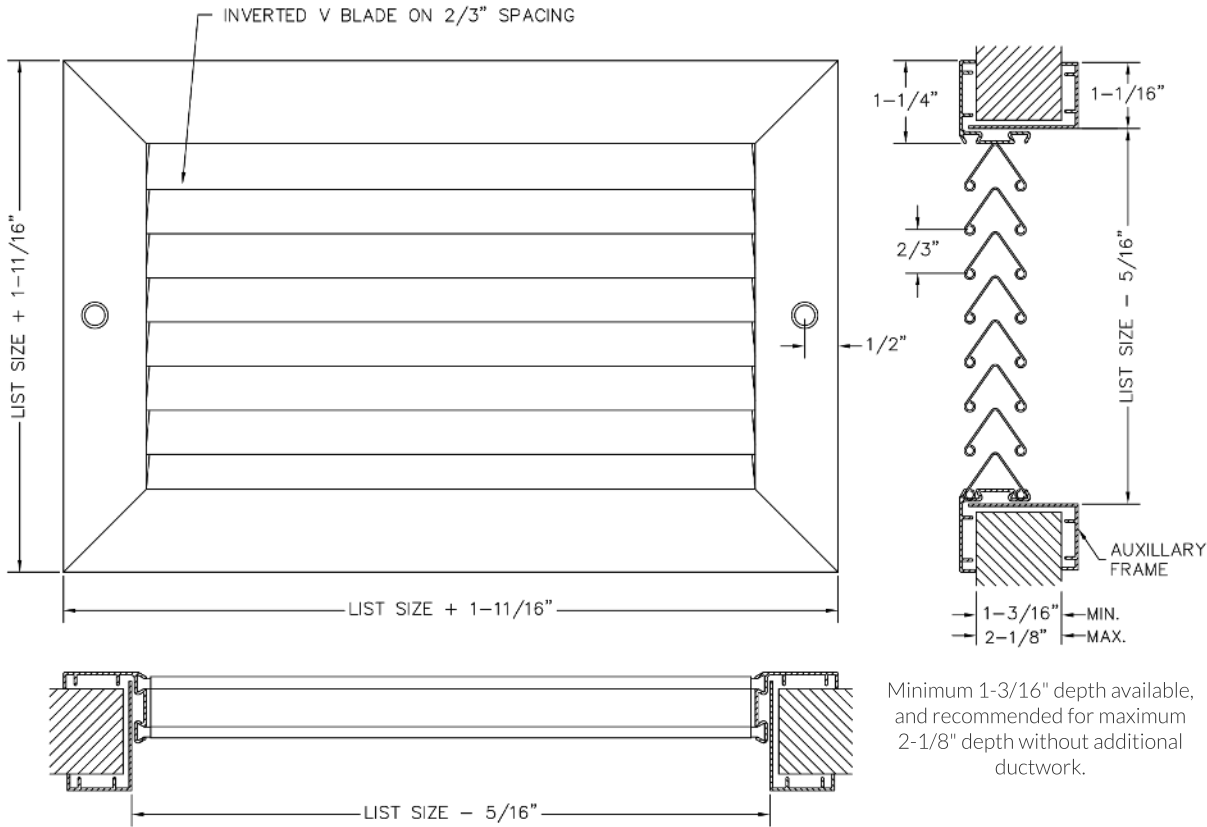




- Inverted V-shaped blades on 2/3" spacing.
- Roll-formed blades designed to minimize vision past core, while maintaining free area for air transfer.
- Pressure-fit nylon pivot pins provide rattle-free performance.
- Finished on both sides with non-vision blade design and a matching auxiliary frame included.
- High-quality aluminum extruded frame.
- Countersunk #6 screw hole mounting c/w painted screws.
- Mullions used for sizes over 22" in length.
- Available with durable powder coat finish.



Minimum 1-3/16" depth available, and recommended for maximum 2-1/8" depth without additional ductwork.



See submittal DANV-B for Transfer/Door Grille with Standard Flange Frame Only.

1. Specify Quantity

2. Specify the Length x Height Dimensions

Available on 2" increments as standard. Custom sizes down to 1/16" increments.

_____ x _____ inches mm

3. Select a Finish

- W - White
- S - Silver
- M - Mill

4. Select a Lead Time

- 3 Day Ship
- Next Friday
- Standard Delivery

Additional Options

- TB - No Screw Holes
- AA - All Aluminum

Project / Location:

Architect:

Engineer:

Contractor:



Scan for more product information.